

SF300

IP Based Fingerprint Access Control & Time Attendance



The SF300 is an IP based fingerprint terminal, which operate in both network mode and standalone mode. it can connect with ZKAccess3.5 software for access control and time attendance management.

Wiegand output makes SF300 flexible to connect with ZK or any 3rd party controllers as a slave reader, Additionally, wiegand input allows two units of SF300 to configure with each other and utilize Master & Slave solution, which requires user verification at both entrance and exit. Meanwhile, anti-passback function can be used to maximize the security.

Auxiliary input interface allows SF300 to connect with an external source, for instance, a smoke detector or emergency switch. Once the linkage function is enabled through the machine menu, the device would generate an alarm signal and open the door in case of emergency.

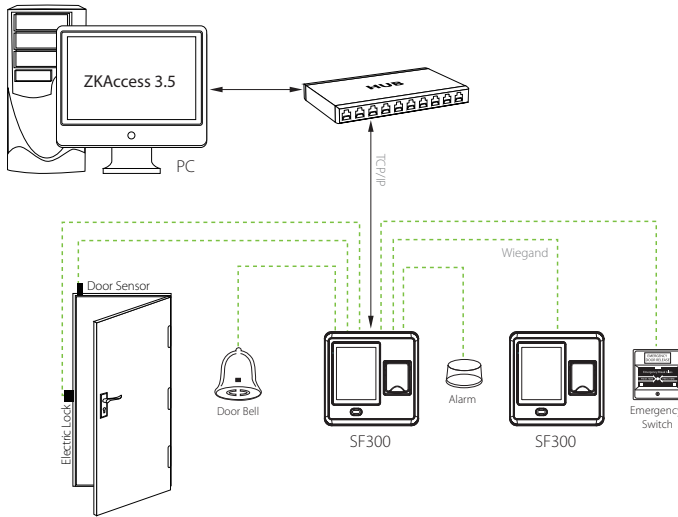
Feature

- 2.8-inch touch screen, color display with graphical UI for easy operation
- Up to 24 user-defined schedules that can be activated on a daily bell alert (optional)
- Prompt audio acceptance or rejection signals for valid or invalid fingers
- Compact and lightweight, small size for 86mm (L) x 86mm (H) socket installation
- TCP/IP or RS485 communication for various networking environments
- Supports USB flash drive for offline data management
- Built-in auxiliary input with enhanced flexibility to link with wired detector or emergency switch
- Up to 15 multi-verification methods to enhance security level
- Standard access control features such as Time zone, Holiday, A&C Group, Unlock combination etc.
- Duress Alarm offers effective protection against duress by threats
- Tamper proof switch and multiple alarm outputs
- Multi-languages customizable

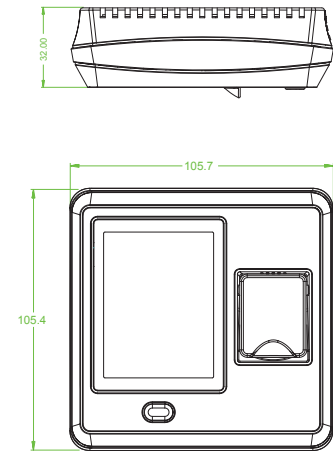
Specifications

| | |
|--------------------------|---|
| Model | SF300 |
| LCD | 2.8 inch resistive touch screen |
| Fingerprint Sensor | ZK Optical Sensor (500DPI) |
| Algorithm Version | ZKFinger VX10.0 |
| Communication | TCP/IP, RS485, USB Host |
| Fingerprint Capacity | 1,500 |
| Card Capacity (Optional) | 5,000 (EM/Mifare) |
| Records Capacity | 80,000 |
| Access Control Interface | Electric lock, Door sensor, Alarm, Exit button, Door Bell |
| Wiegand Signal | Wiegand input & output |
| Aux. Input | 1ea for linkage function |
| Power Supply | DC 12V/3A |
| Operating Temperature | 0 ~ 45°C (32°~113°F) |
| Operating Humidity | 20 ~ 80% |
| Dimension(L x W x H) | 105 x 105 x 34mm |

Configuration



Dimensions (mm)



protektaman

www.protektaman.com

Adres

Perpa Ticaret Merkezi B Blok Kat: 9 No: 1387-86-85
34384 Şişli / İSTANBUL

Tel: +90 (212) 210 41 20
Fax: +90 (212) 210 41 22

E-posta

info@protektaman.com
satis@protektaman.com
servis@protektaman.com